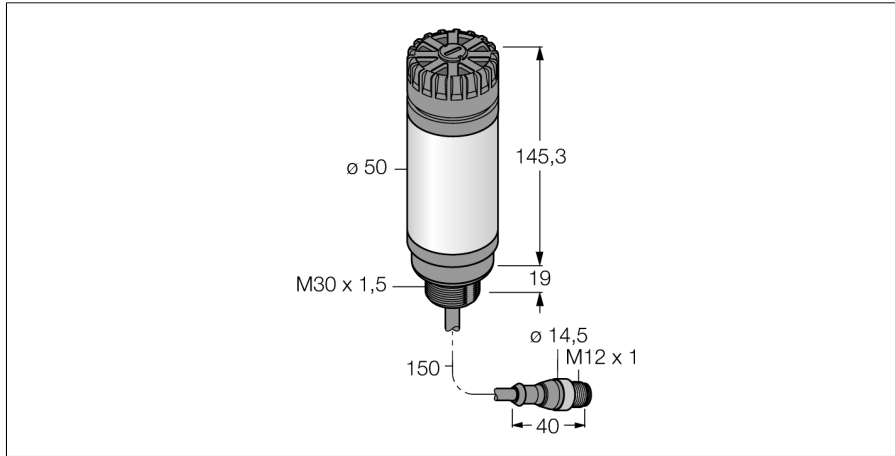


**LED indicator
tower light
CL50GRYAPQP**



- LED tower light with beeper
- Individually controllable
- Mechanical screw-in thread M30 x 1.5
- Multicolor: Green (COL 1) / Red (COL 2) / Yellow (COL 3)
- Cable with male end M12 x 1
- Operating voltage 10...30 VDC

Functional principle

Multicolor/multifunction display and acoustic alarm signal

Rugged and well-priced LED tower, easy to install

Illuminated segments for clear operator guidance and display of system status.

Display of up to 3 colors.

Compact devices, no controller required

No mounting

Type code	CL50GRYAPQP
Ident no.	3010508
Purpose	Indicator
Operating mode	tower light
Design	cylindrical/smooth
Housing material	plastic, ABS
Window material	Plastic, diffuse
Connection	Cable with male end, M12 x 1, 5-wire
Cable length	0.15 m
Cable Jacket Material	PVC
IP Rating	IP50
Ambient temperature	-20...+50 °C
Approvals	CE, UL listed
Operating voltage	18...30VDC
Response time	< 10 ms
Light type	green red yellow
Volume	92 dB

**LED indicator
tower light
CL50GRYAPQP**

TURCK

Industrial
Automation

Wiring accessories

Type code	Ident no.	Description	Design
RKC4.5T-2/TEL	6625016	Connection cable, female M12, straight, 5-pin, cable length: 2 m, sheath material: PVC, black; cULus approval; other cable lengths and qualities available, see www.turck.com	
WKC4.5T-2/TEL	6625028	Connection cable, female M12, angled, 5-pin, cable length: 2 m, sheath material: PVC, black; cULus approval; other cable lengths and qualities available, see www.turck.com	