

Shock Absorbers Series SA

7 different sizes

Threads: M8x1 - M10x1 - M12x1 - M14x1,5 - M20x1,5 - M25x1,5 - M27x1,5



- » Suitable for different applications
- » Usable with or without a stop collar
- » Self compensating

By using shock absorber Series SA, following advantages would be provided.

- Increased production rate
- Reduced maintenance costs
- Reduce noise and vibration
- Extended life time of the machine.

Shock absorbers Series SA exist in 7 different sizes and are used to provide impact and noise absorption when stopping objects in motion. Series SA is of a self compensating type which makes it suitable for different applications such as low load/high speed or high load/low speed applications without requiring any additional adjustments on the shock absorber.

Series SA is designed so it can be used with or without a stop collar.

GENERAL DATA

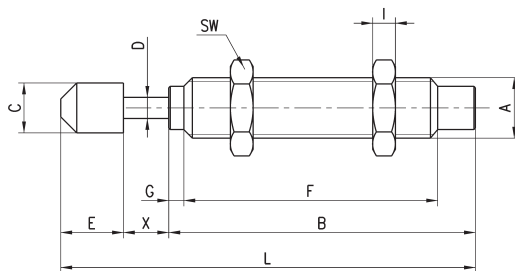
Model	SA-0806 SA-1007 SA-1210 SA-1412 SA-2015 SA-2525 SA-2725
Type of construction	Hydraulic shock absorber, self compensating
Materials	Body: steel, black coated Piston rod: carbon steel chrome plated Piston: carbon steel Sealings: NBR
Threaded body	M8x1 M10x1 M12x1 M14x1,5 M20x1,5 M25x1,5 M27x1,5
Absorption stroke (mm)	6 7 10 12 15 25 25
Max. Energy absorption per cycle, Et (Nm)	3 6 12 20 59 80 147
Max. Energy absorption per hour, ETC, (Nm)	7000 12400 22500 33000 38000 60000 72000
Max. effective mass Me (kg)	6 12 22 40 120 180 270
Max N° cycles per minute	80 70 40 70 45 20 10
Impact speed, v (m/s)	0,3 - 2,5 0,3 - 3,5 0,3 - 4,0 0,3 - 5,0
min. - max.	0,3 - 5,0 0,3 - 5,0 0,3 - 5,0
Weight (g)	15 25 32 65 150 295 360
Working temperature (°C)	-10°C + +80°C

CODING EXAMPLE

SA	-	2015	
-----------	---	-------------	--

SA	SERIES
0806	<p>SIZE/STROKE 0806 = Size M8 x 1 / Stroke 6 mm 1007 = Size M10 x 1 / Stroke 7 mm 1210 = Size M12 x 1 / Stroke 10 mm 1412 = Size M14 x 1,5 / Stroke 12 mm 2015 = Size M20 x 1,5 / Stroke 15 mm 2525 = Size M25x 1,5 / Stroke 25 mm 2725 = Size M27 x 1,5 / Stroke 25 mm</p>
	<p>VERSION = standard, with cap W = Without cap (on request)</p>

Shock Absorbers Series SA



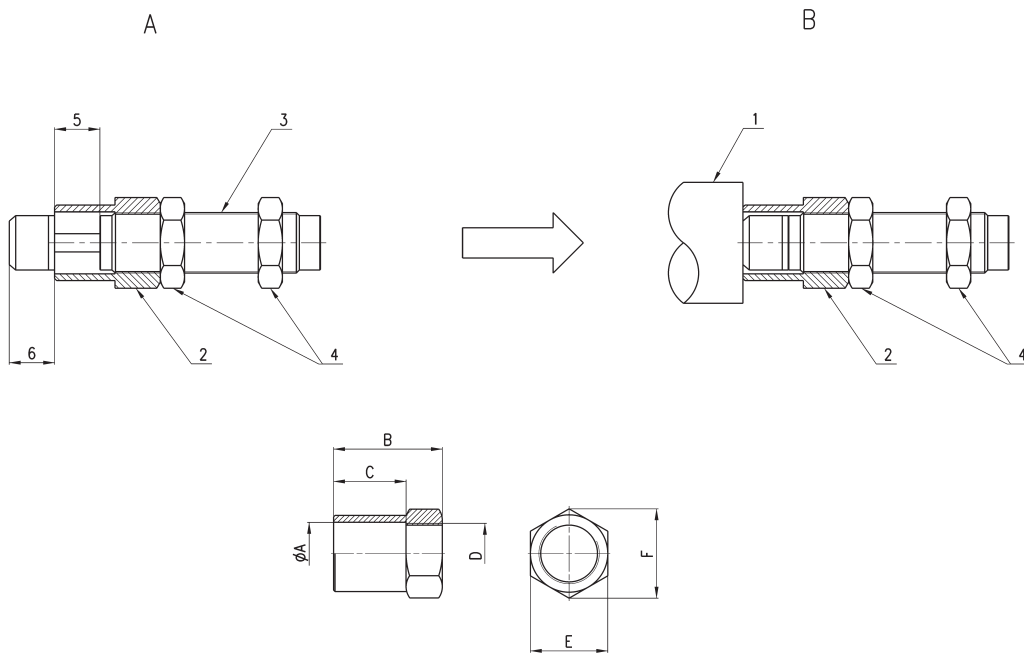
DIMENSIONS

Mod.	A	B	C	D	E	F	G	I	L	SW	X	Weight (g)
SA-0806W	M8X1	40.6	-	2.9	-	33.6	2	3	-	11	6	15
SA-0806	M8X1	40.6	6.6	2.9	8.8	33.6	2	3	55.4	11	6	17
SA-1007W	M10X1	47	-	3	-	39	3	3	-	12.7	7	25
SA-1007	M10X1	47	8.6	3	8.6	39	3	3	62.6	12.7	7	28
SA-1210W	M12X1	52.5	-	3	-	44	3	4	-	14	10	29
SA-1210	M12X1	52.5	10.3	3	8.8	44	3	4	71.3	14	10	32
SA-1412W	M14X1.5	67	-	4	-	58	4	5	-	19	12	65
SA-1412	M14X1.5	67	12	4	10.5	58	4	5	89.5	19	12	70
SA-2015W	M20X1.5	73	-	6	-	62	4	7	-	26	15	150
SA-2015	M20X1.5	73	17.8	6	15.8	62	4	7	103.8	26	15	160
SA-2525W	M25X1.5	92	-	8	-	82	-	9	-	32	25	280
SA-2525	M25X1.5	92	22	8	19	82	-	9	136	32	25	295
SA-2725W	M27X1.5	99	-	8	-	86	5	6.5	-	32	25	360
SA-2725	M27X1.5	99	22	8	19	86	5	6.5	143	32	25	375

Adjusted stroke nut

A = Initial position
B = Final position

1 = Impact object
2 = Adjusted stroke nut
3 = Shock absorber
4 = Fixing screw
5 = Stroke
6 = Stroke length



DIMENSIONS

Mod.		Ø A	B	C	D	E	F
SA-08SC	(for SA-0806)	10,5	14	9	M8X1	11	12,7
SA-10SC	(for SA-1007)	12	16	10	M10X1	13	14,7
SA-12SC	(for SA-1210)	14,5	20	13	M12X1	16	18,5
SA-14SC	(for SA-1412)	25,8	20	15	M14X1	19	21,9
SA-20SC	(for SA-2015)	27,8	35	20	M20X1,5	26	30
SA-25SC	(for SA-2525)	5,8	45	30	M25X1,5	32	37
SA-27SC	(for SA-2725)	20,7	65	50	M27X1,5	32	37