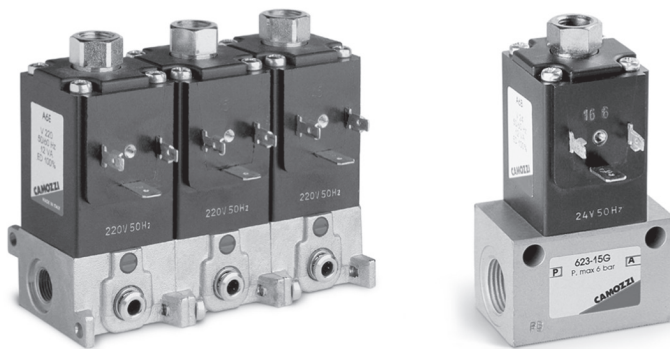


Series 6 directly operated solenoid valves

2/2-way - 3/2-way, NC and NO.
Ports G1/8 and G3/8 - cartridge $\varnothing 4$



The bodies of these valves can be used either individually or in manifolds. The latter are provided with G1/8 threaded ports or an inbuilt diameter 4 cartridge (G3/8 for 2-way only).

Series 6 solenoid valves are available as 2/2 and 3/2-way, either NC or NO.
These directly operated solenoid valves can be used either with or without lubrication.

GENERAL DATA

TECHNICAL FEATURES

Function	2/2 NC - 3/2 NC - 2/2 NO - 3/2 NO
Operation	direct acting poppet type
Pneumatic connections	G1/8, G3/8 threads - $\varnothing 4$ fitting - CNOMO interface
Nominal diameter	2 ... 4 mm
Nominal flow	80 ... 520 NI/min (air @ 6 bar ΔP 1 bar)
Kv (l/min)	1.2 ... 8.0
Operating pressure	0 ÷ 6 ... 15 bar
Operating temperature	0 ÷ +80°C (with dry air -20°C)
Media	filtered air, class 5.4.4 according to ISO 8573-1 (max oil viscosity 32 cSt), inert gas
Response time	ON <15 msec - OFF <25 msec
Manual override	see tables
Installation	in any position

MATERIALS IN CONTACT WITH THE MEDIUM

Body	nickel-plated brass - anodized aluminium
Seals	NBR (FKM on demand)
Internal parts	stainless steel

ELECTRICAL FEATURES

Voltage	12 ... 110 V DC - 24 ... 230 V AC 50/60 Hz
Voltage tolerance	$\pm 10\%$ (DC) - $+10\%$ -15% (AC)
Power consumption	10 W (DC) - 19 VA (inrush AC), 12 VA (holding AC)
Duty cycle	ED 100%
Electrical connection	H (180°C)
Protection class	DIN 43650 connector, (A Shape) IP65 with connector

Special versions available on demand

CODING EXAMPLE									
6	3	8	M	-	105	-	A	6	B
6	SERIES:								
3	NUMBER OF PORTS AND FUNCTIONS: 0 = interface 1 = 2 way NO 2 = 2 way NC 3 = 3 way NC 4 = 3 way NO								
8	CONNECTION: 0 = interface 3 = G3/8 8 = G1/8 C = cartridge Ø 4								
M	M = manifold								
105	TYPE OF BODY: 150 = threaded body 450 = base with rotatable interface 457 = base with fixed interface 101 = single manifold 102 = 2 - part manifold 103 = 3 - part manifold 104 = 4 - part manifold 105 = 5 - part manifold 106 = 6 - part manifold 107 = 7 - part manifold 108 = 8 - part manifold 109 = 9 - part manifold 110 = 10 - part manifold 111 = 11 - part manifold 112 = 12 - part manifold 113 = 13 - part manifold 114 = 14 - part manifold 115 = 15 - part manifold								
A	COIL MATERIAL: A = PPS								
6	SOLENOID DIMENSIONS: 6 = 32x32								
B	SOLENOID VOLTAGE: B = 24V 50/60Hz C = 48V 50/60 Hz D = 110V 50/60 Hz E = 230V 50/60 Hz 2 = 12V DC 3 = 24V DC 4 = 48V DC 6 = 110V DC								

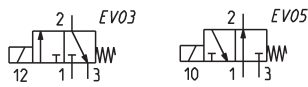
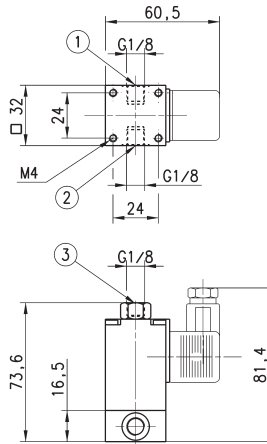
3/2-way NC and NO solenoid valve, G1/8 - Mod. 638 and Mod. 648

These valves are particularly suitable for operating single-acting cylinders or for use as signal valves.



In the mod. 648-150-A6* (NO) connections 1 and 3 are inverted, while the max operating pressure is 6 bar in case a solenoid A6B, A6C, A6D, A6E is chosen.

* = choose the solenoid voltage according to the Coding example table on page 2/1.25.02.



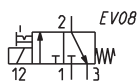
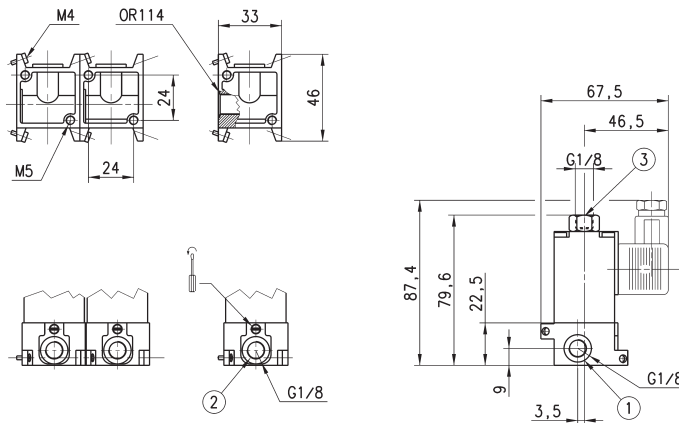
Mod.	Ports	Function	Orifice Ø (mm)	Qn (NI/min)	Pressure min-max DC (bar)	Pressure min-max AC (bar)	Symbol
638-150-A6*	G1/8	NC	2	130	0 + 10	-	EV03
648-150-A6*	G1/8	NO	2	80	0 + 8	0 + 6	EV05

3/2-way NC solenoid valve - Mod. 638M and Mod. 63CM

These solenoid valves are equipped with a manual override and are available with G1/8 inlet ports and with G1/8 outlets or with a diameter 4 cartridge. The body is supplied complete with screws and O-ring.



* = choose the solenoid voltage according to the Coding example table on page 2/1.25.02.

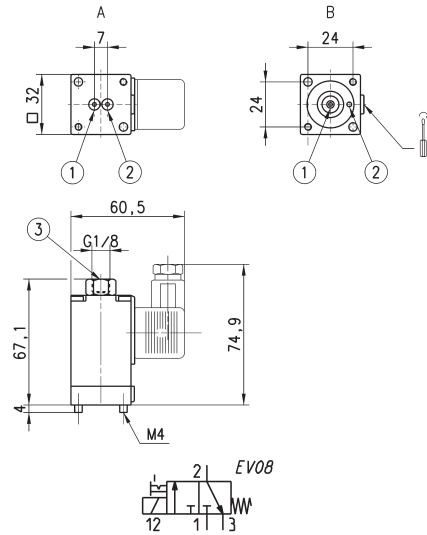


Mod.	Inlet	Outlet	Function	Orifice Ø (mm)	Qn (NI/min)	Pressure min-max (bar)
638M-101-A6*	G1/8	G1/8	NC	2	120	0 + 10
63CM-101-A6*	G1/8	cartridge Ø 4	NC	2	108	0 + 10

3/2-way NC solenoid valve - Mod. 600



These solenoid valves are equipped with an override and are available with two types of interface:
 A = fixed interface
 B = swivel interface



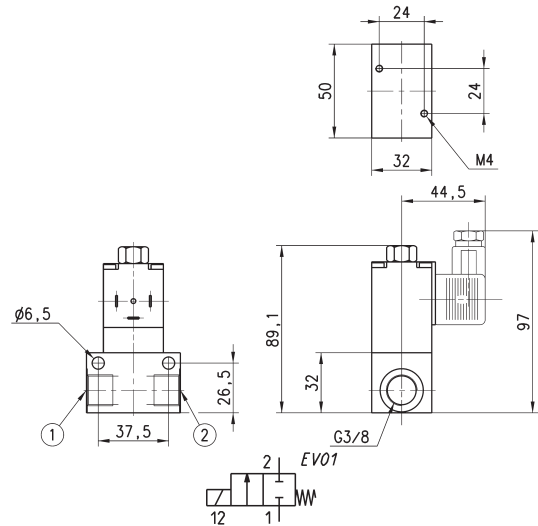
Mod.	Interface	Function	Orifice Ø (mm)	Qn (NI/min)	Pressure min-max (bar)
600-450-A6*	Swivel	NC	2	106	0 + 10
600-457-A6*	Fixed	NC	2	106	0 + 10

* = choose the solenoid voltage according to the Coding example table on page 2/1.25.02.

2/2-way solenoid valves, G3/8 - Mod. 623



The 2/2-way solenoid valves with G3/8 ports are available with different orifices.



Mod.	Ports	Function	Orifice Ø (mm)	Qn (NI/min)	Pressure min-max (bar)
623-15E-A6*	G3/8	NC	2,5	230	0 + 15
623-15F-A6*	G3/8	NC	3	333	0 + 14
623-15G-A6*	G3/8	NC	4	520	0 + 6

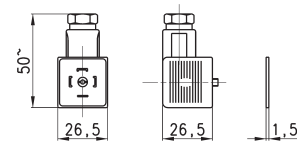
* = choose the solenoid voltage according to the Coding example table on page 2/1.25.02.

** = maximum pressures referred to 50 Hz.

Connector Mod. 124-800



Protection class IP65
 DIN 43650 (PG9)



Mod.
124-800