

# Series N filter-regulators

Ports G1/8, G1/4  
with screw-on transparent bowl



Series N filter-regulator is available with G1/4 and G1/8 ports. Its design incorporates a self relieving diaphragm. The transparent filter bowl allows an easy monitoring of the condensate levels. The manual and semi-automatic drain makes both the manual and automatic condensate exhaust easier when there is no pressure.

## GENERAL DATA

<b>Construction</b>	HDPE filtering element
<b>Materials</b>	brass body and poppet - stainless steel spring - NBR O-ring - HDPE filtering element - Grilamid bowl - others: PA The version with brass bowl is available on request.
<b>Ports</b>	G1/8 - G1/4
<b>Max. condensate capacity</b>	size 1 = 11cm <sup>3</sup> size 2 = 28 cm <sup>3</sup>
<b>Weight</b>	Kg 0,370
<b>Pressure gauge ports</b>	G1/8
<b>Mounting</b>	vertical, in- line
<b>Operating temperature</b>	-5°C + 50°C a 10 bar (with the dew point of the fluid lower than 2°C at the min. working temperature)
<b>Porosity of filtering element</b>	25 µm (standard ) 5 µm (on request )
<b>Draining of condensate</b>	standard semi-automatic, manual
<b>Inlet pressure</b>	0 + 16 bar
<b>Outlet pressure</b>	0,5 + 10 bar
<b>Nominal flow</b>	see graph
<b>Secondary pressure relieving</b>	standard

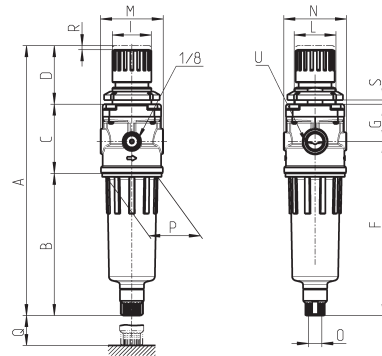
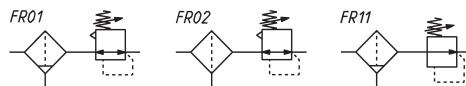
**CODING EXAMPLE**

<b>N</b>	<b>2</b>	<b>04</b>	<b>-</b>	<b>D</b>	<b>0</b>	<b>0</b>	<b>-</b>	<b>4</b>
<b>N</b>	SERIES							
<b>2</b>	SIZE: 1 = small bowl 2 = normal bowl							
<b>04</b>	PORTS: 08 = G1/8 04 = G1/4							
<b>D</b>	D = FILTER-REGULATOR							
<b>0</b>	FILTERING ELEMENT: 0 = 25µm (standard) 1 = 5µm							
<b>0</b>	DRAINING OF CONDENSATE AND DESIGN TYPE: 0 = manual - semiautomatic, self-relieving draining of condensate 1 = manual - semiautomatic, non-relieving draining of condensate 4 = depressurised draining of condensate, self-relieving (with normal bowl only) 5 = depressurised, protected draining of condensate, self-relieving (with normal bowl only) 8 = no drain, with port 1/8, self-relieving							
<b>4</b>	OPERATING PRESSURE: = 0,5 ÷ 10 bar ( standard ) 2 = 0 ÷ 2 bar 4 = 0 ÷ 4 bar 7 = 0,5 ÷ 7 bar							

**Series N filter-regulators**

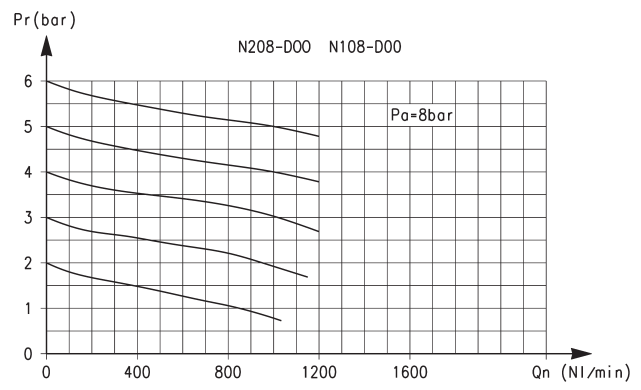
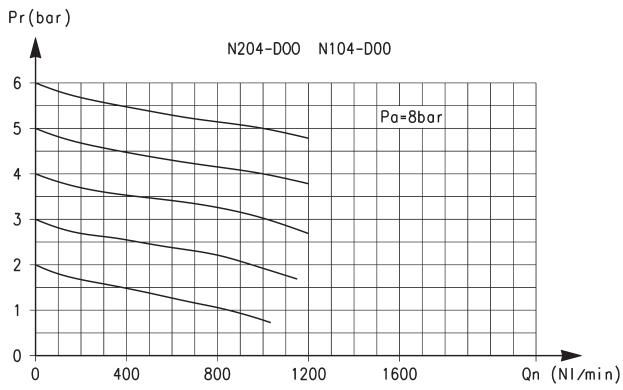


FR01 = filter-regulator with relieving and manual drain  
FR02 = FR with relieving and without drain  
FR11 = FR with manual drain and without relieving



Mod.	A	B	C	D	F	G	I	L	M	N	O	P	Q	R	S	U
<b>N108-D00</b>	167	78	50	39	101	27	28	M30x1,5	45	45	G1/8	38	40	3	0 ÷ 6	G1/8
<b>N104-D00</b>	167	78	50	39	101	27	28	M30x1,5	45	45	G1/8	38	40	3	0 ÷ 6	G1/4
<b>N208-D00</b>	191	102	50	39	125	27	28	M30x1,5	45	45	G1/8	38	40	3	0 ÷ 6	G1/8
<b>N204-D00</b>	191	102	50	39	125	27	28	M30x1,5	45	45	G1/8	38	40	3	0 ÷ 6	G1/4

FLOW DIAGRAM



Flow diagrams for models: N204-D00 - N104-D00

Pa = Inlet pressure  
Pr = Regulated pressure  
Qn = Flow

Flow diagrams for models: N208-D00 - N108-D00

Pa = Inlet pressure  
Pr = Regulated pressure  
Qn = Flow