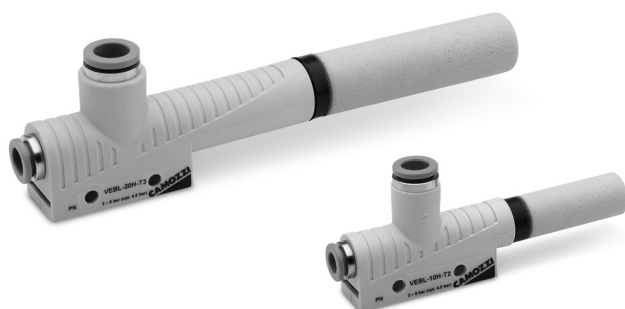


Basic ejectors Series VEBL

Basic ejectors in technopolymer without moving parts, based on the Venturi principle.

Different sizes available, with internal nozzle from 0,5 to 2,5 mm and with suction rate from 8 to 207 l/min.



- » No moving parts for long life and low maintenance
- » Reduced weight
- » Rapid generation of vacuum
- » Easy installation, on proper support too
- » Optimized dimensions

Basic ejectors Series VEBL are universal type ejectors made in technopolymer suitable for most industrial applications such as:

- Industrial robotics in most sectors
- Wood industry
- Packaging industry
- Food industry

GENERAL DATA

Description	Basic ejector
Materials	- body in technopolymer - silencier in technopolymer - internal nozzle in brass

CODING EXAMPLE

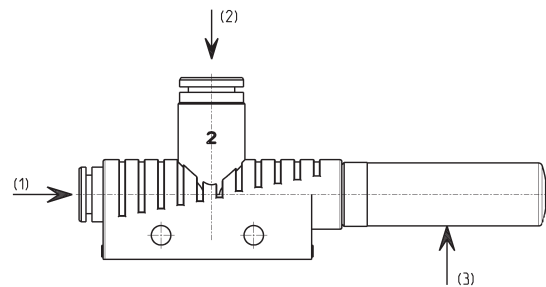
VE	BL	-	10H	-	T2
----	----	---	-----	---	----

VE	SERIES: VE = Vacuum ejector
BL	VERSION: BL = basic light
10H	NOZZLE DIAMETER: 05H = 0,5 mm 07H = 0,7 mm 10H = 1 mm 15H = 1,5 mm 20H = 2 mm 25H = 2,5 mm
T2	TYPE OF CONNECTION (ON SUPPLY SIDE): T1 = plier - tube Ø4 T2 = plier - tube Ø6 T3 = plier - tube Ø8



TECHNICAL DATA

- 1 = Compressed air inlet
- 2 = Vacuum inlet
- 3 = Exhaust

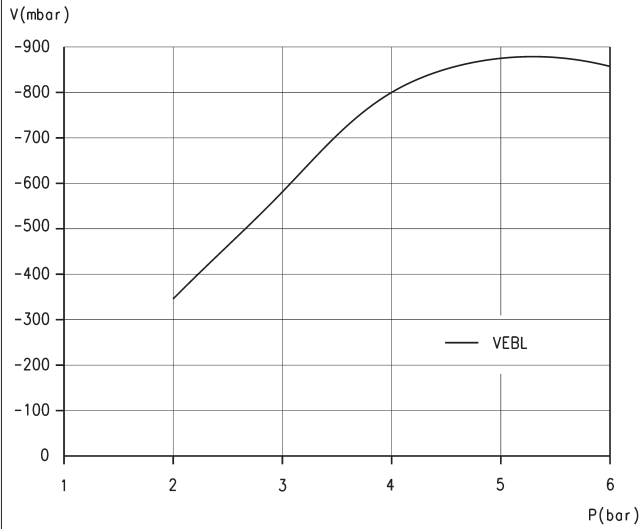


Usable fluids:
compressed air, oiled
and not, according to ISO
8573-1:2001 class 7-4-4

Mod.	Ø nozzle (mm)	Obtainable relative pressure (mbar)	Vacuum flow (l/min)	Air consumption (l/min)	Operating pressure (bar)	Optimum operating pressure (bar)	Operating temperature (bar)	Weight (kg)	Noise level gripped [dB(A)]	Noise level free [dB(A)]	Suggested internal Ø for tubes [mm] up to 2m	Max n° of ejectors for one support
VEBL-05H-T1	0,5	-840	8	13,5	3..6	4,5	0...60	0,0075	53	58	2/2	11
VEBL-07H-T1	0,7	-850	16	22	3..6	4,5	0...60	0,0075	59	65	2/2	11
VEBL-10H-T2	1	-850	38	48	3..6	4,5	0...60	0,022	59	65	4/6	7
VEBL-15H-T2	1,5	-850	71	105	3..6	4,5	0...60	0,022	65	72	4/6	7
VEBL-20H-T3	2	-850	127	197	3..6	4,5	0...60	0,050	68	77	6/8	5
VEBL-25H-T3	2,5	-850	215	311	3..6	4,5	0...60	0,050	70	78	6/8	5

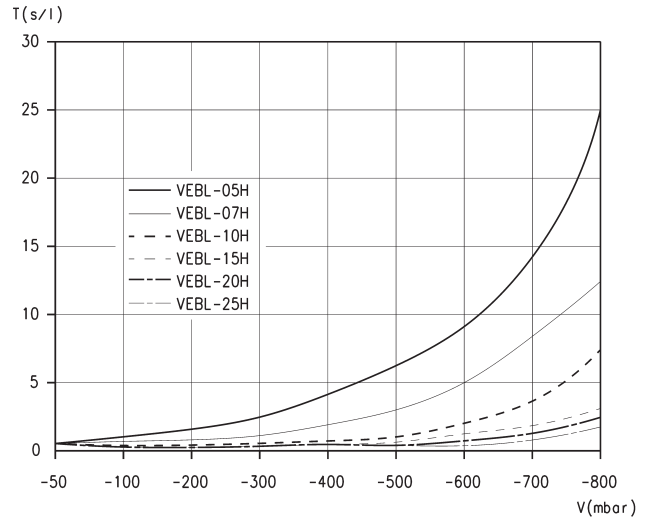
Products designed for industrial applications.
General terms and conditions for sale are available on www.camozzi.com.

Diagrams VEBL



LEGEND:
 V = Vacuum values
 P = Working pressure

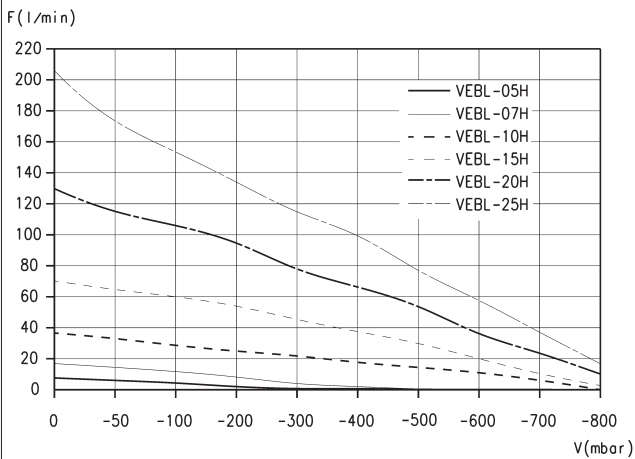
Note: vacuum reachable with different supply pressures



LEGEND:
 T = Evacuation time
 V = Vacuum values

Note: evacuation time for different vacuum values

Diagrams VEBL



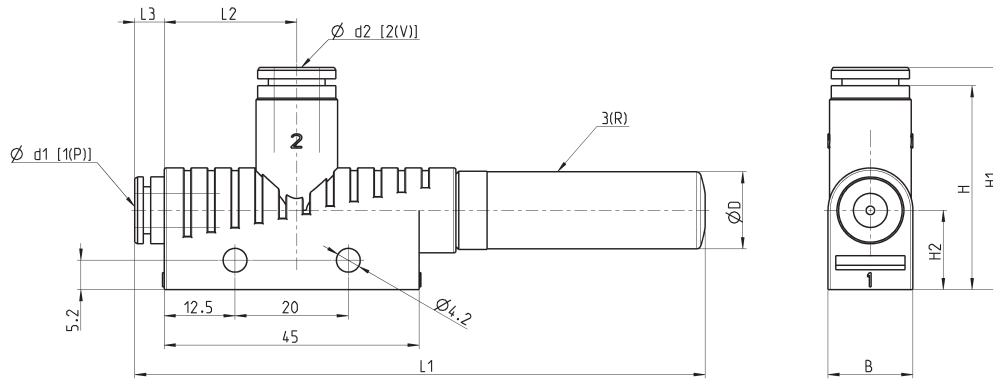
LEGEND:
 F = Suction rate
 V = Vacuum values

Note: Suction rate with different vacuum values

Ejectors VEBL-05H...25H



[P] = Pressure
 [V] = Vacuum
 [R] = Exhaust

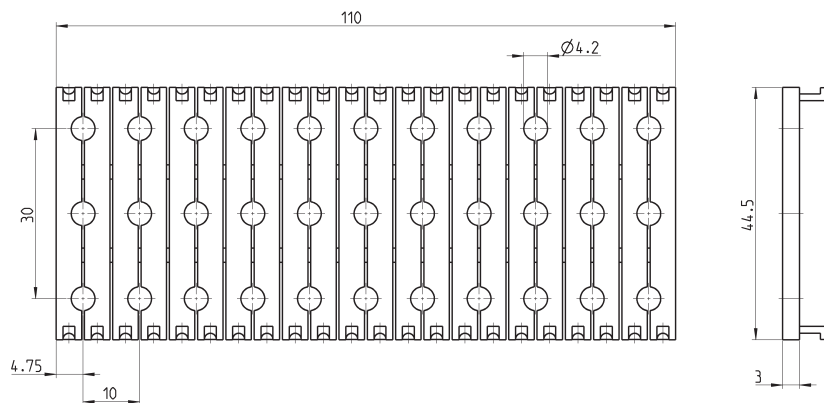
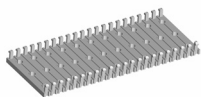


DIMENSIONS

Mod.	B	d1	d2	D	H	H1	H2	L1	L2	L3
VEBL-05H-T1	10	4	4	9	26	28	12	71	18	2
VEBL-07H-T1	10	4	4	9	26	28	12	71	18	2
VEBL-10H-T2	15	6	8	14	34	40	14	97	22	5,5
VEBL-15H-T2	15	6	8	14	34	40	14	97	22	5,5
VEBL-20H-T3	20	8	10	20	39	45,5	17	168	24,5	5,5
VEBL-25H-T3	20	8	10	20	39	45,5	17	168	24,5	5,5

Products designed for industrial applications.
 General terms and conditions for sale are available on www.camozzi.com.

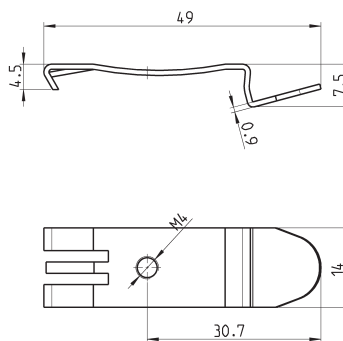
Accessories VEBL-ST



Mod.

VEBL-ST

Accessories VEBL-PCF



Mod.

VEBL-PCF