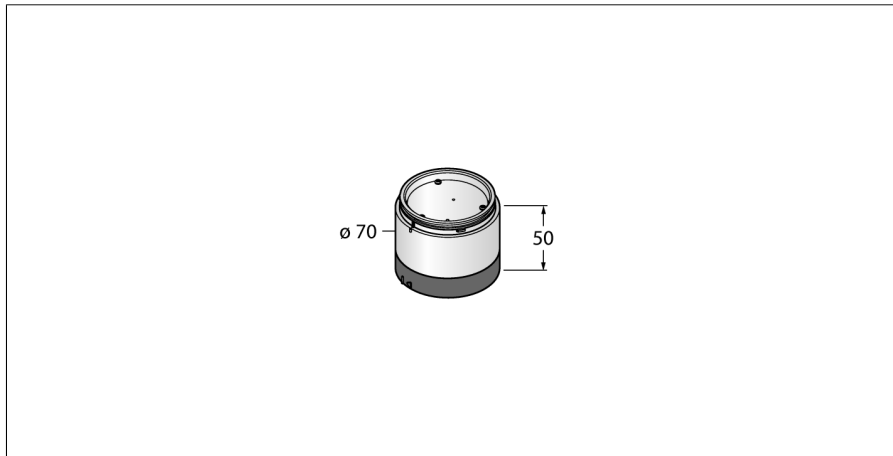


**LED indicator
Modular signal tower
Color segment
SG-TL70-W**



- **Monochrome: White**
- **Switchable between permanent and flashing function**
- **Operating voltage: 12...30 VDC**
- **Inputs: PNP/NPN**

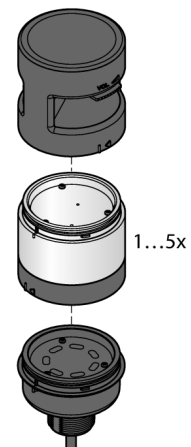
Functional principle

The rugged multifunction tower lights are available in many variations and are easily mounted. Each tower can be assembled of up to five color segments and, optionally, a beeper. All segments are configurable via DIP switches.

5 colors are available, blue (B), green (G), red (R), yellow (Y) and white (W), which can be used in any combination.

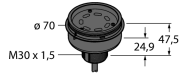
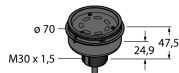

The arrangement of the segments can be modified subsequently and also more segments can be added. Via the basic module the respective port is selected.

Type code	SG-TL70-W
Ident no.	3092215
Purpose	Indicator
Operating mode	tower light
Cascadable	no
Design	cylindrical/smooth
Housing material	plastic, PC
Window material	Plastic, diffuse
Useful life	50000 h
IP Rating	IP65
Ambient temperature	-40...+50 °C
Approvals	CE, UL listed
Operating voltage	12...30VDC
DC rated operational current	≤ 420 mA
Response time	< 180 ms
Light type	white
Color temperature	5000K
Luminous flux lumen	125 lm
Dimmable	no



**LED indicator
Modular signal tower
Color segment
SG-TL70-W**

Function accessories

Type code	Ident no.	Description	Design
B-TL70-5	3092223	TL70 base module, black, cable, 5-pin, 2 m, connection of 4 segments possible	
B-TL70-8	3092224	TL70 base module, black, cable, 8-pin, 2 m, connection of 6 segments possible	
B-TL70-Q5	3092226	TL70 base module, black, connector, 5-pin, M12 x 1, connection of 4 segments possible	
B-TL70-Q8	3092227	TL70 base module, black, connector, 8-pin, M12 x 1, connection of 6 segments possible	