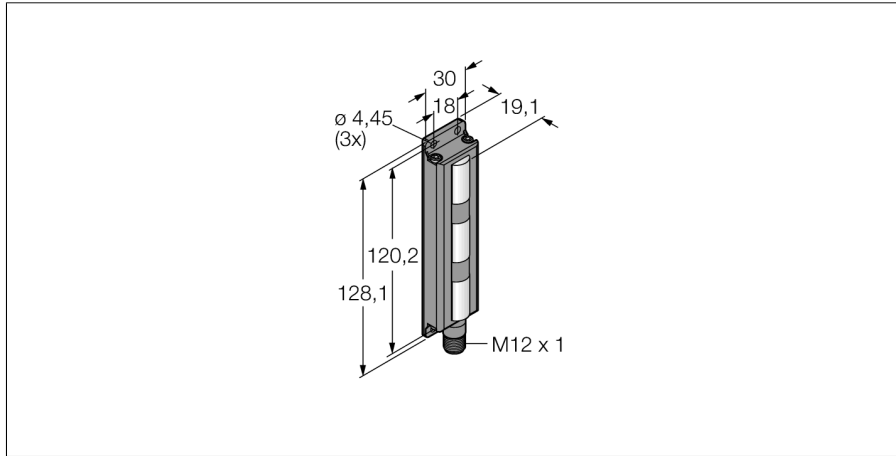


LED indicator
Multicolor/multifunction display
TL30FGYRQ



- Plastic housing, black
- EMI and RFI immune
- Protection class IP65
- Male M12 x 1
- Multicolor: Green (COL 1) / Yellow (COL 2) / Red (COL 3)
- Operating voltage: 18...30 VDC or 24 VAC with 45 mA per LED color
- Inputs: PNP/NPN

Functional principle

Flat multicolor/multifunction display
Rugged and well-priced LED tower, easy to install
Illuminated segments for clear operator guidance and display of system status
Display of up to 5 colors
Compact devices, no controller required
No mounting
The wiring diagram shows a PNP pin assignment

Type code	TL30FGYRQ
Ident no.	3010952
Purpose	Indicator
Operating mode	tower light
Design	rectangular
Dimensions	19.1 x 30 x 128.1 mm
Housing material	aluminium, AL
Window material	Acrylic, diffuse
Connection	male, M12 x 1
IP Rating	IP65
Ambient temperature	-40...+50 °C
Approvals	CE
Operating voltage	18...30VDC
DC rated operational current	≤ 18 mA
Operating voltage U_b	≥ 21 VAC
Operating voltage U_b	≤ 27 VAC
Response time	< 1 ms
Light type	green yellow red

**LED indicator
Multicolor/multifunction display
TL30FGYRQ**

Accessories

Type code	Ident no.	Description	Design
SMBPVA1	3056884	Mounting bracket, stainless steel, for PVA series	
SMBPVA2	3054451		

Wiring accessories

Type code	Ident no.	Description	Design
RKC4.4T-2/TEL	6625013	Connection cable, female M12, straight, 4-pin, cable length: 2 m, sheath material: PVC, black; cULus approval; other cable lengths and qualities available, see www.turck.com	
WKC4.4T-2/TEL	6625025	Connection cable, female M12, angled, 4-pin, cable length: 2 m, sheath material: PVC, black; cULus approval; other cable lengths and qualities available, see www.turck.com	