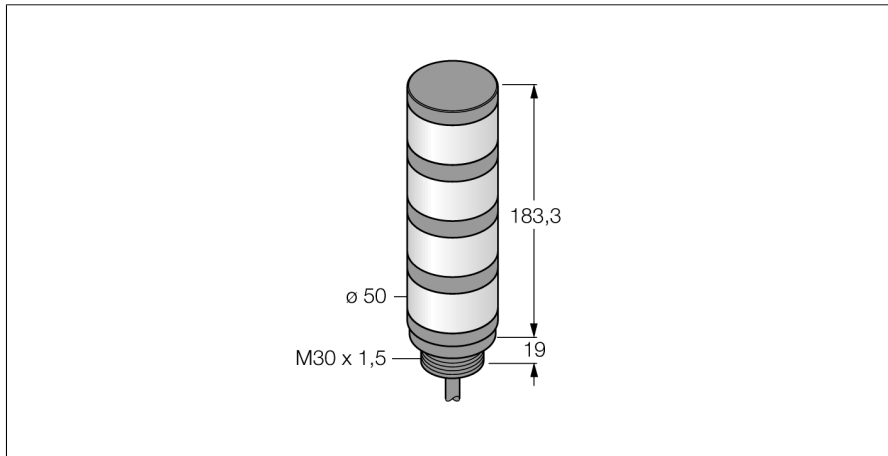
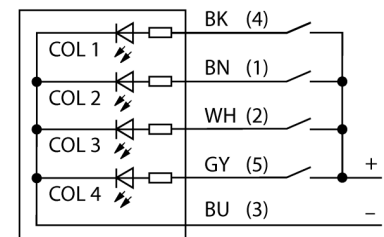


**LED indicator
tower light
TL50BGYR**



- Black plastic housing
- EMI and RFI immune
- Protection class IP67
- Cable 2 m
- Multicolor: Blue (COL 1) / Green (COL 2) / Yellow (COL 3) / Red (COL 4)
- Operating voltage: 18...30 VDC or 24 VAC with 45 mA per LED color
- Inputs: PNP/NPN

Wiring diagram



Functional principle

The TL50 tower lights provide highly visible status indicators and a clear user guidance within the entire system. They can be assembled from varicolored LEDs and are available with or without beeper. You can mount them directly on machines, in the cabinet or in monitoring locations of production lines.

The wiring diagram shows a PNP pin assignment.

There are 10 colors available blue (B), green (G), red (R), yellow (Y), white (W), turquoise (T), orange (O), violet (V), sky blue (S) and magenta (M), which specify the light sequence from bottom to top in the type code of the tower light. Example: TL50GYRQ, colors green, yellow and red arranged from bottom to top.

Type code	TL50BGYR
Ident no.	3083223
Purpose	Indicator tower light
Operating mode	cylindrical/threaded
Design	plastic, ABS
Housing material	Plastic, diffuse
Window material	cable, 5-wire
Connection	2 m
Cable length	PVC
Cable Jacket Material	IP67
IP Rating	-40...+50 °C
Ambient temperature	CE, UL listed
Approvals	
Operating voltage	18...30VDC
DC rated operational current	≤ 45 mA
Operating voltage U_b	≥ 21 VAC
Operating voltage U_b	≤ 27 VAC
AC rated operational current	≤ 45 mA
Response time	< 10 ms
Light type	blue green yellow red

**LED indicator
tower light
TL50BGYR**

Accessories

Type code	Ident no.	Description	Design
SMB30A	3032723	Mounting bracket, rectangular, stainless steel, for sensors with 30mm thread	
SMB30FA	3074005	Montagewinkel; Werkstoff VA 1.4401	
SMB30SC	3052521	Mounting bracket, PBT black; for 30 mm thread; with 4 screws M5 x 0.8	