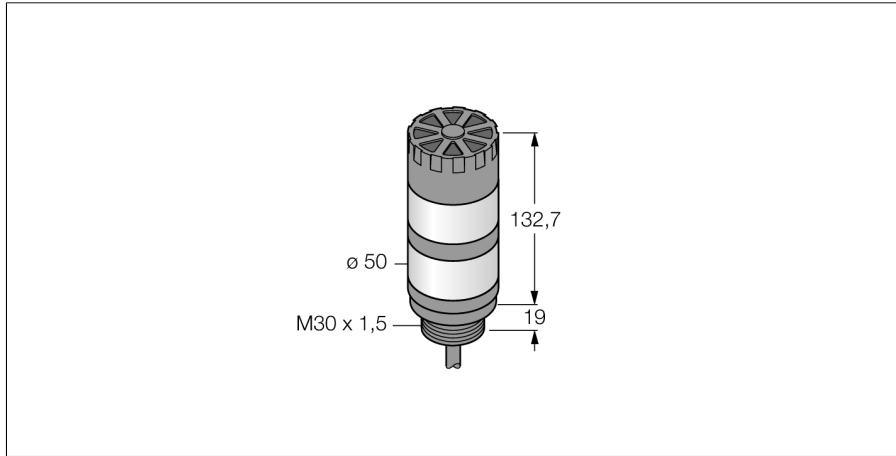
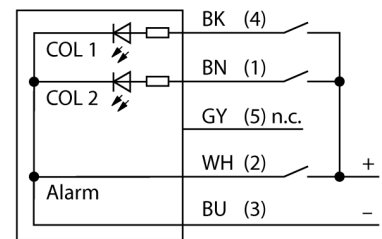


**LED indicator
tower light
TL50GRA**



- **Beeper max. 92 dB**
- **Plastic housing, black**
- **EMI and RFI immune**
- **Protection class IP50**
- **Cable, 2 m**
- **Multicolor: Green (COL 1) / Red (COL 2)**
- **Operating voltage: 18...30 VDC or 24 VAC with 45 mA per LED color**
- **Inputs: PNP/NPN**

Wiring diagram



Functional principle

The TL50 tower lights provide highly visible status indicators and a clear user guidance within the entire system. They can be assembled from varicolored LEDs and are available with or without beeper. You can mount them directly on machines, in the cabinet or in monitoring locations of production lines.

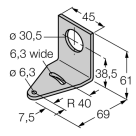
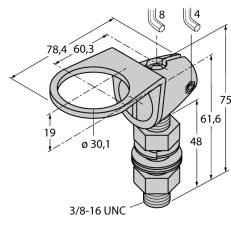
The wiring diagram shows a PNP pin assignment.

There are 10 colors available blue (B), green (G), red (R), yellow (Y), white (W), turquoise (T), orange (O), violet (V), sky blue (S) and magenta (M), which specify the light sequence from bottom to top in the type code of the tower light. Example: TL50GYRQ, colors green, yellow and red arranged from bottom to top.

Type code	TL50GRA
Ident no.	3083220
Purpose	Indicator
Operating mode	tower light
Design	cylindrical/threaded
Housing material	plastic, ABS
Window material	Plastic, diffuse
Connection	cable, 4-wire
Cable length	2 m
Cable Jacket Material	PVC
Ambient temperature	-20...+50 °C
Approvals	CE, UL listed
Operating voltage	18...30VDC
DC rated operational current	≤ 45 mA
Response time	< 10 ms
Light type	green red
Volume	92 dB

**LED indicator
tower light
TL50GRA**

Accessories

Type code	Ident no.	Description	Design
SMB30A	3032723	Mounting bracket, rectangular, stainless steel, for sensors with 30mm thread	
SMB30FA	3074005	Montagewinkel; Werkstoff VA 1.4401	
SMB30SC	3052521	Mounting bracket, PBT black; for 30 mm thread; with 4 screws M5 x 0.8	