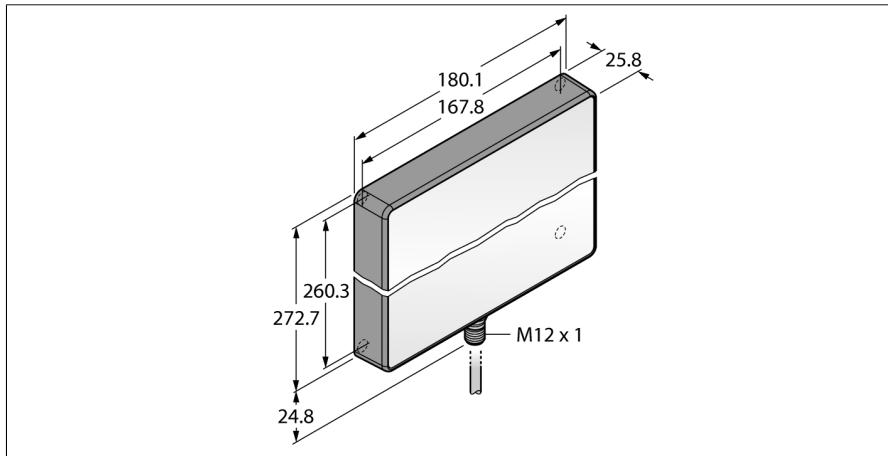


**work light**  
**area light**  
**WLAW275X180**

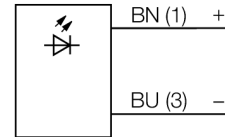
**TURCK**

Industrial  
Automation



- Color: Cold white
- Cable, 2m

**Wiring diagram**



**Functional principle**

The energy-efficient LED work lights are ideally suited for industrial applications. The color temperature lies in the field of daylight, between 5,000 and 10,000 Kelvin. Depending on the model, the luminous flux may vary between 450 and 1800 lumen. The electrical connection is either established via standard M12x1 connector or pigtail directly at the terminal connection of existing installations.

<b>Type code</b>	WLAW275X180
Ident no.	3017614
<b>Purpose</b>	Work light
Operating mode	area light
Cascadable	no
Design	rectangular
Dimensions	272.7 x 180.1 x 25.8 mm
Housing material	plastic, PBT
Window material	Acrylic, clear
Connection	cable, 2-wire
Cable length	2 m
Cable Jacket Material	PVC
Useful life	50000 h
IP Rating	IP67 / IP69K
Ambient temperature	-20...+50 °C
Storage temperature	-40...+70 °C
Relative humidity	≤ 95 %
Approvals	CE, UL
<b>Operating voltage</b>	12...30VDC
DC rated operational current	≤ 3000 mA
Input power	36 W
<b>Light type</b>	white
Color temperature	6000...7100K
Luminous flux lumen	1950 lm
Dimmable	no