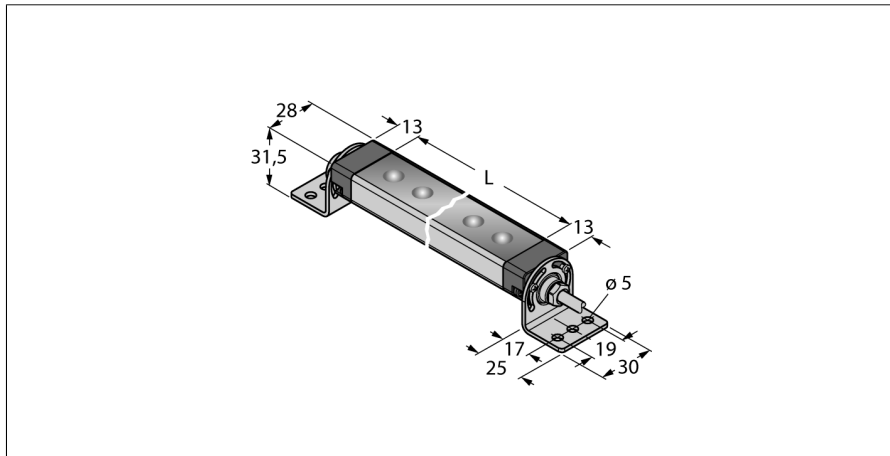


work light
linear light
WLS28-2CW145DS



- Cascadable
- Light beam: 145mm
- Operating voltage: 12...30 VDC
- Protection class: IP67 / IP69K
- Color: Cold white
- Cable, PVC, 2 m
- SMBWLS28RA mounting bracket included in delivery

Wiring diagram



Type code WLS28-2CW145DS
Ident no. 3087858

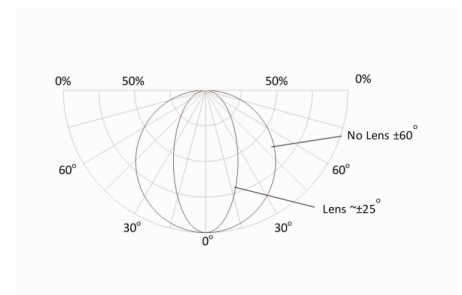
Purpose	Work light
Operating mode	linear light
Cascadable	yes
Design	rectangular
Dimensions	175 x 28 x 21 mm
Housing material	metal, AL
Window material	Acrylic, clear
Connection	cable, 4-wire
Cable length	2 m
Cable Jacket Material	PVC
Useful life	50000 h
IP Rating	IP67 / IP69K
Ambient temperature	-25...+70 °C
Storage temperature	-40...+70 °C
Relative humidity	≤ 90 %
Approvals	CE, UL

Operating voltage	12...30VDC
DC rated operational current	≤ 330 mA
Input power	3.96 W

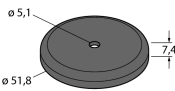
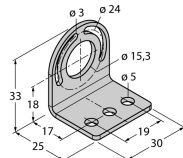
Light type	white
Color temperature	6000...7100K
Luminous flux lumen	325 lm
Aperture angle degree	60 °
Dimmable	2 steps

Functional principle

The energy-efficient LED work lights are ideally suited for industrial applications. The color temperature is between 6,000 and 7,100 Kelvin (cool white). Depending on the model, the luminous flux is 325 or 2600 lumen. Some work lights are switched on/off via supply power (10...30 VDC) and some types by means of a button directly at the LED lamp. In addition, the LED can be dimmed to 50% of its light output by activating a high signal on PIN 4, or for the variants with a switch by means of a further switch position. On some models the light output is continuously dimmable via a PWM signal on PIN 4. Cascadable variants are also available. Variants with a clear or diffused plastic windows, as well as with an aperture angle of 25°.



Accessories

Type code	Ident no.	Description	Design
SMBWLSMAG	3019574	Magnetic mounting bracket for fixing to metal surfaces	
SMBWLS28RA	3015764	Mounting bracket, angled, metal, for WLS28 work lights, 5 mm holes	
SMBWLS28SP	3088063	Snap-on clamp	