

Pressure Sensor with Thread Connection

Pressure**SCAN**

Application

- hydrostatic level measurement of vessels and tanks
- precise pressure measurement in vessels and pipes

Application Examples

- pressure monitoring
- level measurement with dan-..., linearization and evaluation with pem-dd (6 standard styles, 1 style programmable)

Process Connection

- for all standard thread connections (M12x1,5; G1/4"; G1/2"; M22x1,5) and special threads possible
- sensor completely made of stainless steel
- protection class IP69K

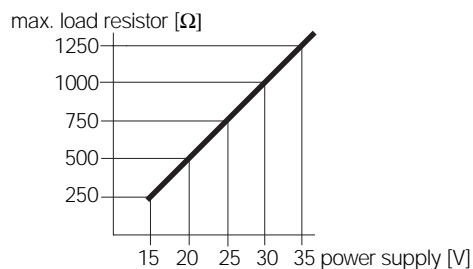
Features

- robuste design
- piezo-resistive measurement cell
- integrated 2-wire measurement transducer 4-20mA

Options / Accessories

- special measurement ranges
- absolute pressure measuring
- electrical connection via M12-plug-in
- cable for M12-plug-in ex work
- level measurement device pem-dd with linearization

Diagram load resistor



dan-047 / M12

Specification

Pressure ranges	standard	0,4 / 0,8 / 1,2 / 2,0 5,0 / 10,0 bar rel.	Temperature ranges	ambient	-20...+60°C
Overload stability	factor	2 of full scale minimum 2 bar		process	-40...+120°C short-time
Process connection	thread	M12x1,5; M22x1,5; G1/4"; G1/2";	Linearity	compensated	0 ... 85°C
Materials	connector head	SS V2A, (1.4305)	Accuracy	variation	<±0,2% of full scale
	thread connection	SS V4A, (1.4571)		zero	4mA ±0,15mA
	membrane	SS V4A (1.4435)		span	16mA ±0,1mA
Protection class		IP69K	Temperature drift	zero typical	0,02% o. f. scale / K
				span typical	0,02% o. f. scale / K
			Electr. connection	cable entry	PG (M16x1,5)2x1,5mm ²
				optional	M12-plug-in SS, V2A
			Output	current loop	4-20mA
				optional	0-10V; 0-20mA
			Power supply		12...36V DC
			Load resistor	max.	200...1250Ω; s. diagr.

Order Code

Type	Process connection	Range [bar]	Electrical connection
dan-045	M12x1,5	0,4 / 0,8 / 1,2 / 2,0	PG* cable entry
dan-046	G1/4"	5,0 / 10,0 relative	M12 M12-plug-in
dan-047	G1/2"		
dan-048	M22x1,5		
dan-049	special thread		
Order example:	dan-045 / 2,0 / M12		

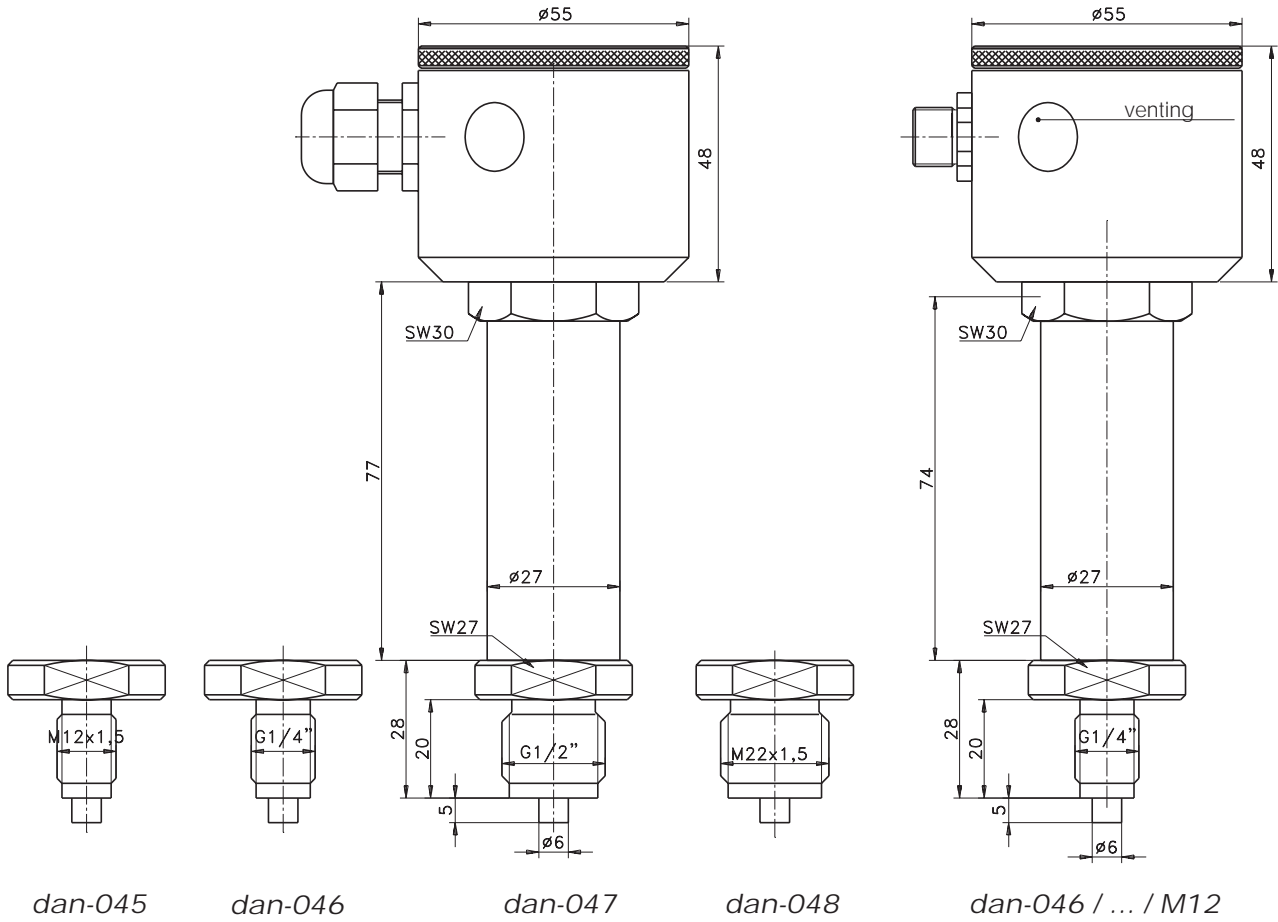
*Standard, no declaration needed.

negele

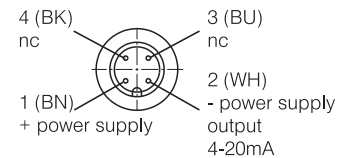
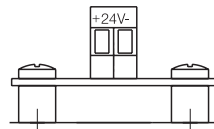
Attention:

Avoid pressure strikes, because these high overloads can damage the sensor!

Dimensioned Drawings

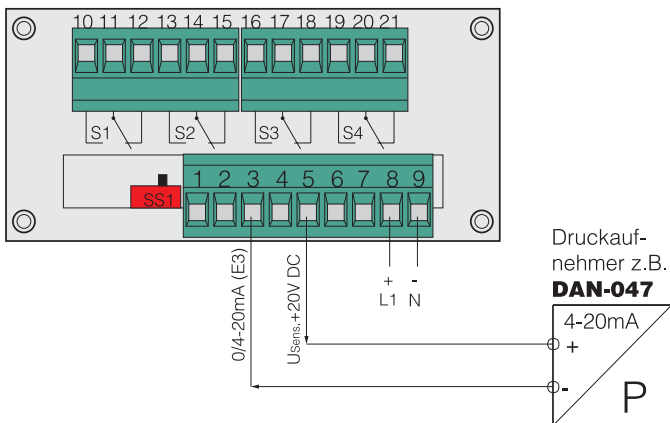


Electrical Connection



Connection Example with Digital Indicator

e.g. dpm-gs-4gw



Connection Example with PLC

